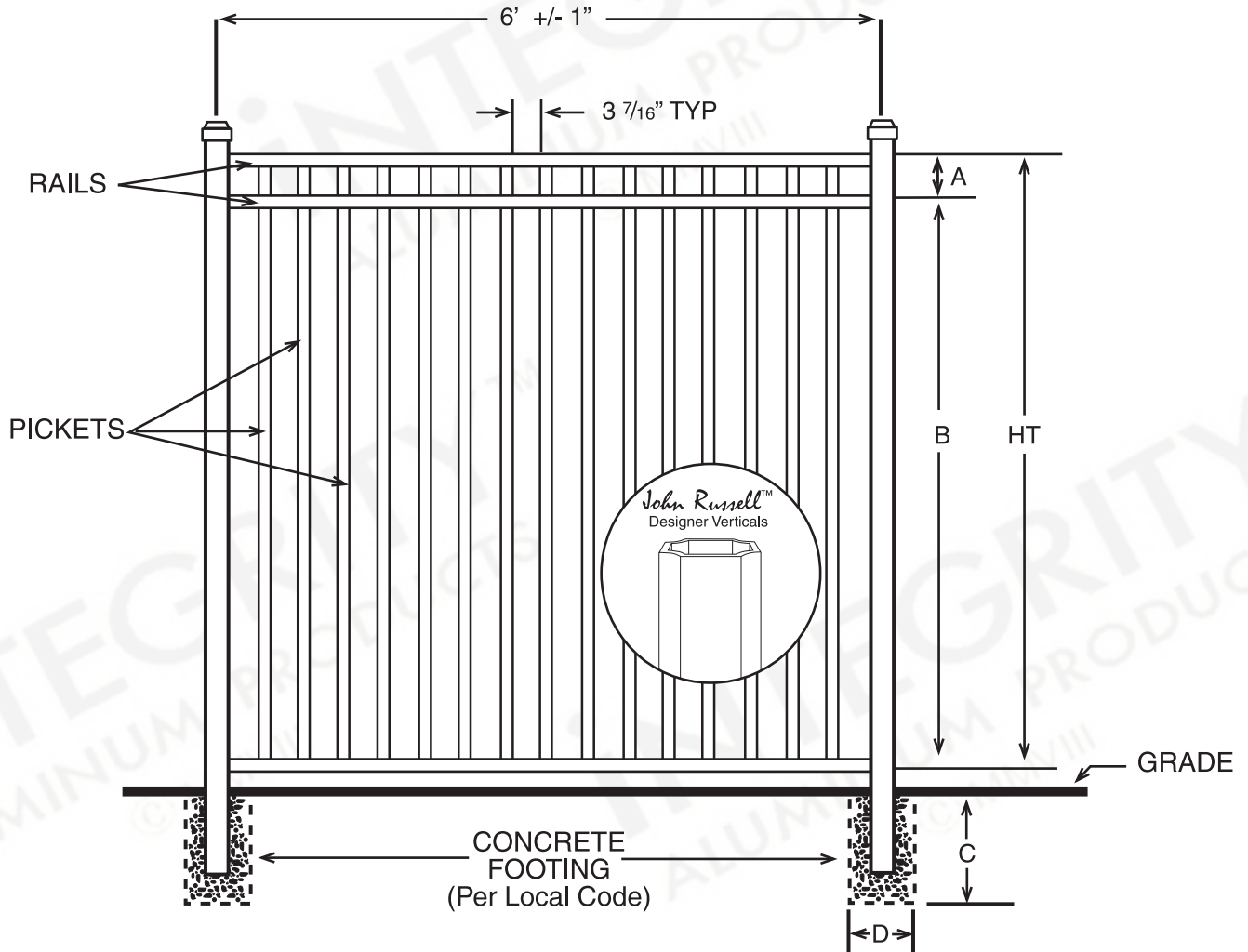


# INTEGRITY™

ALUMINUM PRODUCTS

800.762.8876

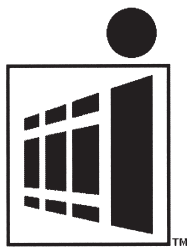


## BOCA GRANDE™

John Russell™ Designer Verticals

DIMENSIONS				
HT	A	B	C	D
3'	2"	34"	Per Local Code	
3½'	2"	42"	Per Local Code	
4'	2"	46"	Per Local Code	
All Dimensions Are Nominal				

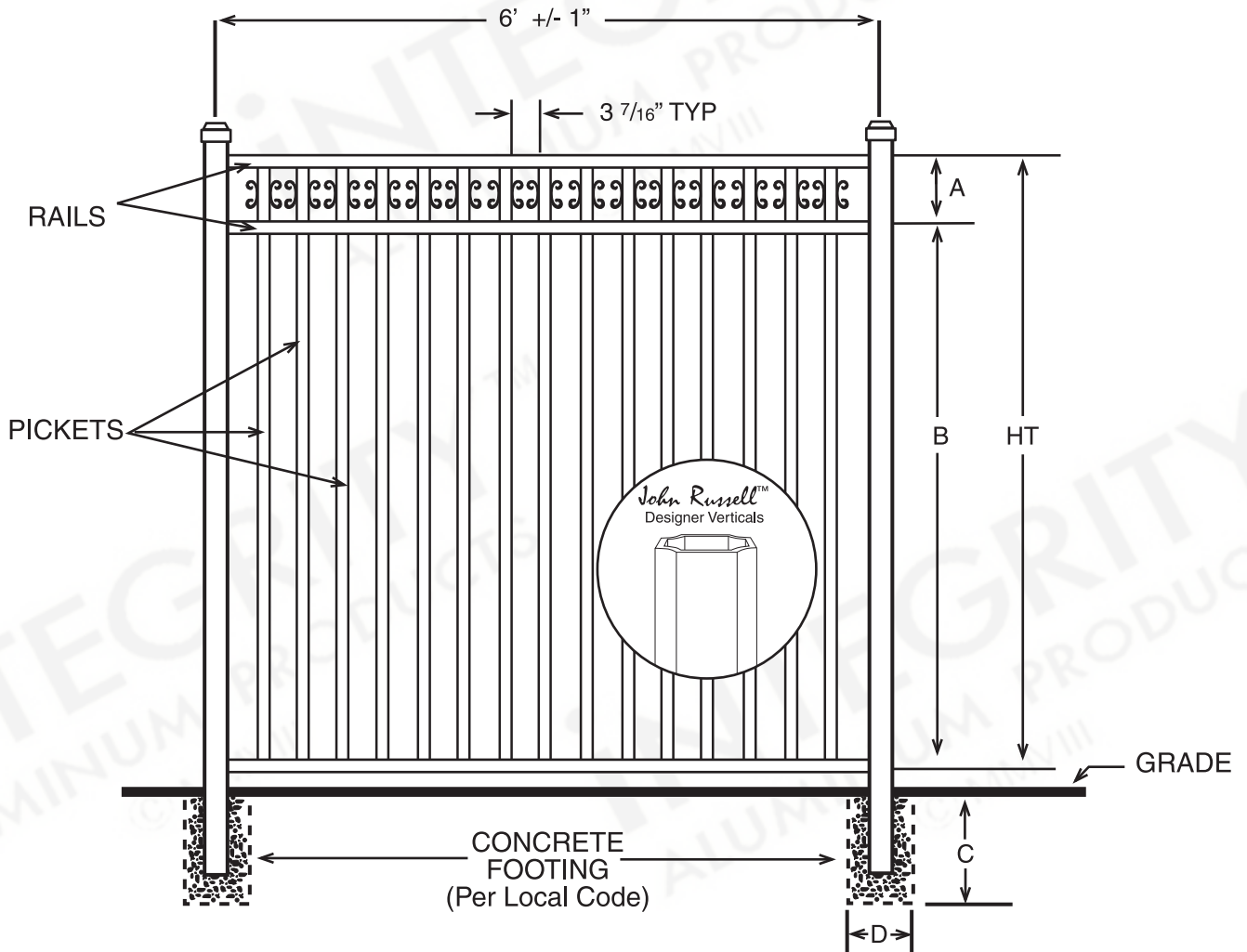
SPECIFICATIONS DESIGNER RESORT	
Posts Available	2" x 2" x .060 Wall 2" x 2" x .080 Wall 2" x 2" x .125 Wall 2½" X 2½" X .100 Wall
Horizontal Rails Side Walls Top Walls	1⅛" x 1" .082" .062"
Pickets Picket Spacing	1" x 5⁄8" x .062 Wall 3 7⁄16"
Heights Available	3, 3½ & 4 Ft.



**iNTEGRITY™**

ALUMINUM PRODUCTS

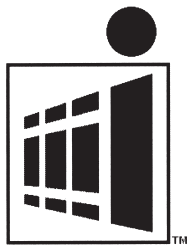
800.762.8876



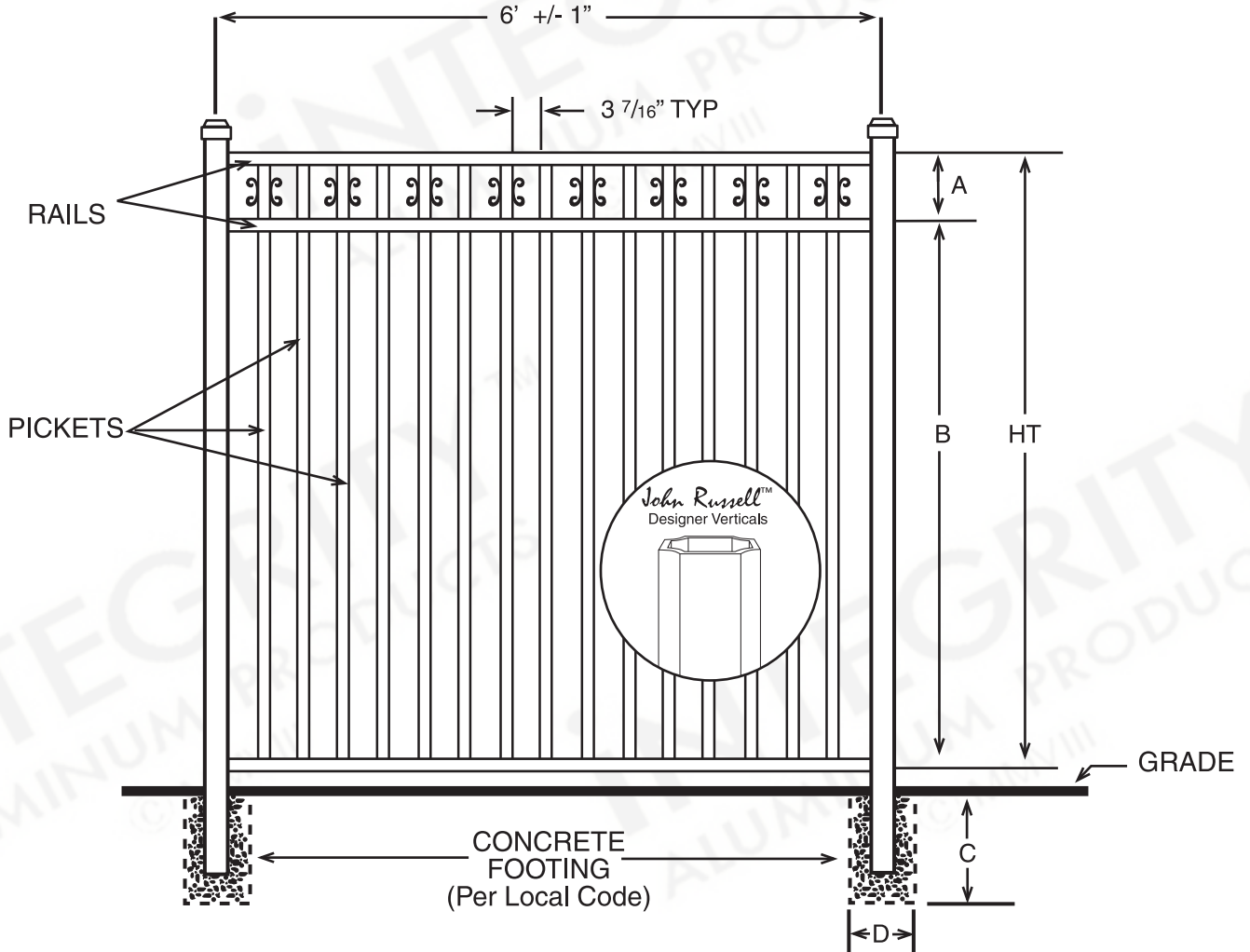
**CAMARILLO™**  
John Russell™ Designer Verticals

DIMENSIONS				
HT	A	B	C	D
3'	6"	30"	Per Local Code	
3½'	6"	36"	Per Local Code	
4'	6"	42"	Per Local Code	
4½'	6"	48"	Per Local Code	
5'	6"	54"	Per Local Code	
All Dimensions Are Nominal				

SPECIFICATIONS DESIGNER RESORT	
Posts Available	2" x 2" x .060 Wall 2" x 2" x .080 Wall 2" x 2" x .125 Wall 2½" X 2½" X .100 Wall
Horizontal Rails Side Walls Top Walls	1⅛" x 1" .082" .062"
Pickets Picket Spacing	1" x 5/8" x .062 Wall 3 7/16"
Heights Available	3, 3½, 4, 4½ & 5 Ft.



**iNTEGRITY™**  
 ALUMINUM PRODUCTS  
 800.762.8876

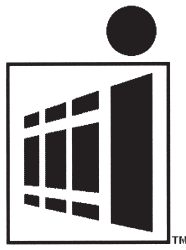


## CAMARILLO LIGHT™

John Russell™ Designer Verticals

DIMENSIONS				
HT	A	B	C	D
3'	6"	30"	Per Local Code	
3½'	6"	36"	Per Local Code	
4'	6"	42"	Per Local Code	
4½'	6"	48"	Per Local Code	
5'	6"	54"	Per Local Code	
All Dimensions Are Nominal				

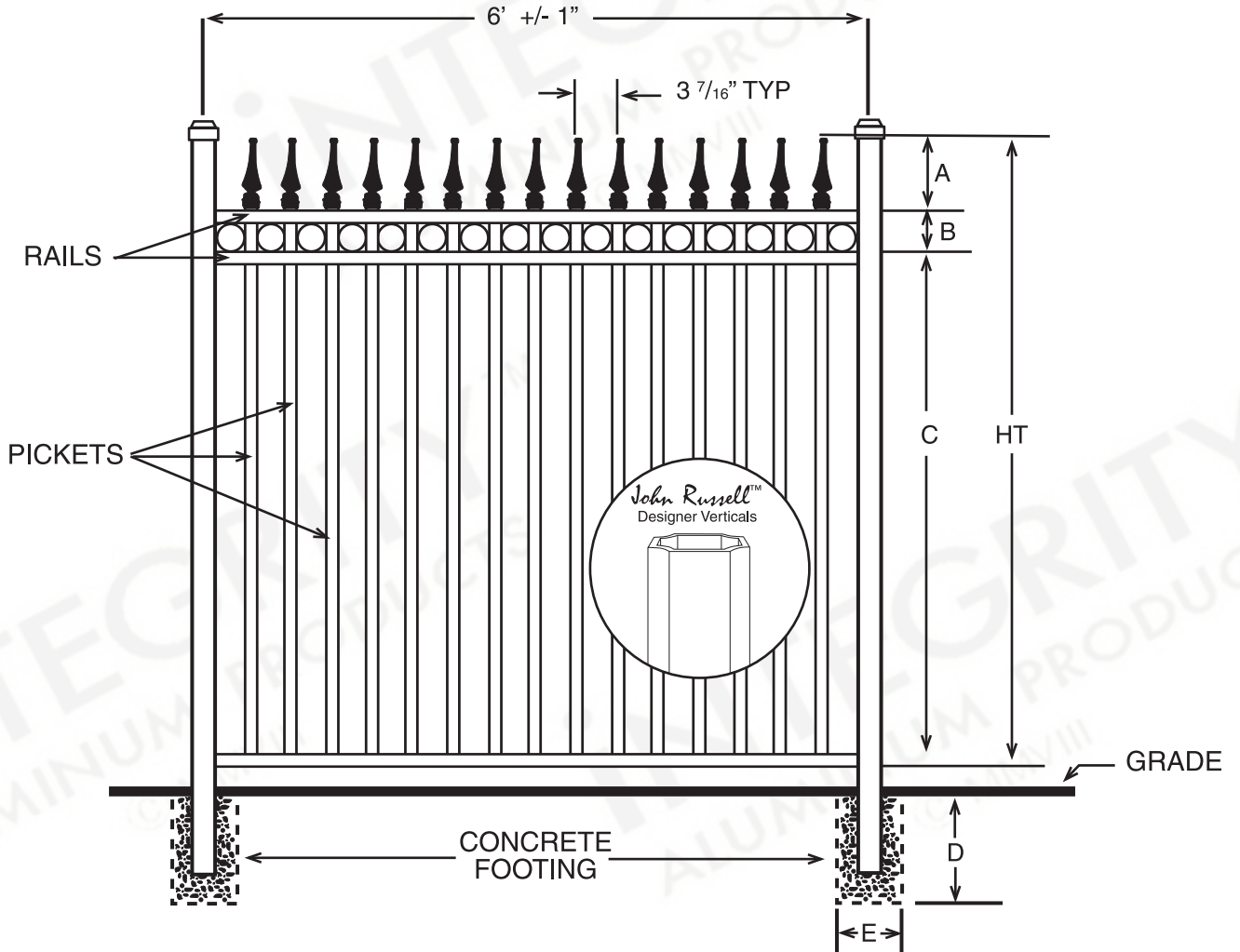
SPECIFICATIONS DESIGNER RESORT	
Posts Available	2" x 2" x .060 Wall 2" x 2" x .080 Wall 2" x 2" x .125 Wall 2½" X 2½" X .100 Wall
Horizontal Rails Side Walls Top Walls	1⅛" x 1" .082" .062"
Pickets Picket Spacing	1" x 5/8" x .062 Wall 3 7/16"
Heights Available	3, 3½, 4, 4½ & 5 Ft.



# INTEGRITY™

ALUMINUM PRODUCTS

800.762.8876



## CAMELOT™

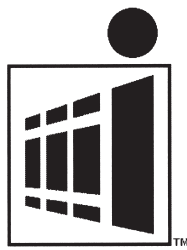
*John Russell™ Designer Verticals*

### DIMENSIONS

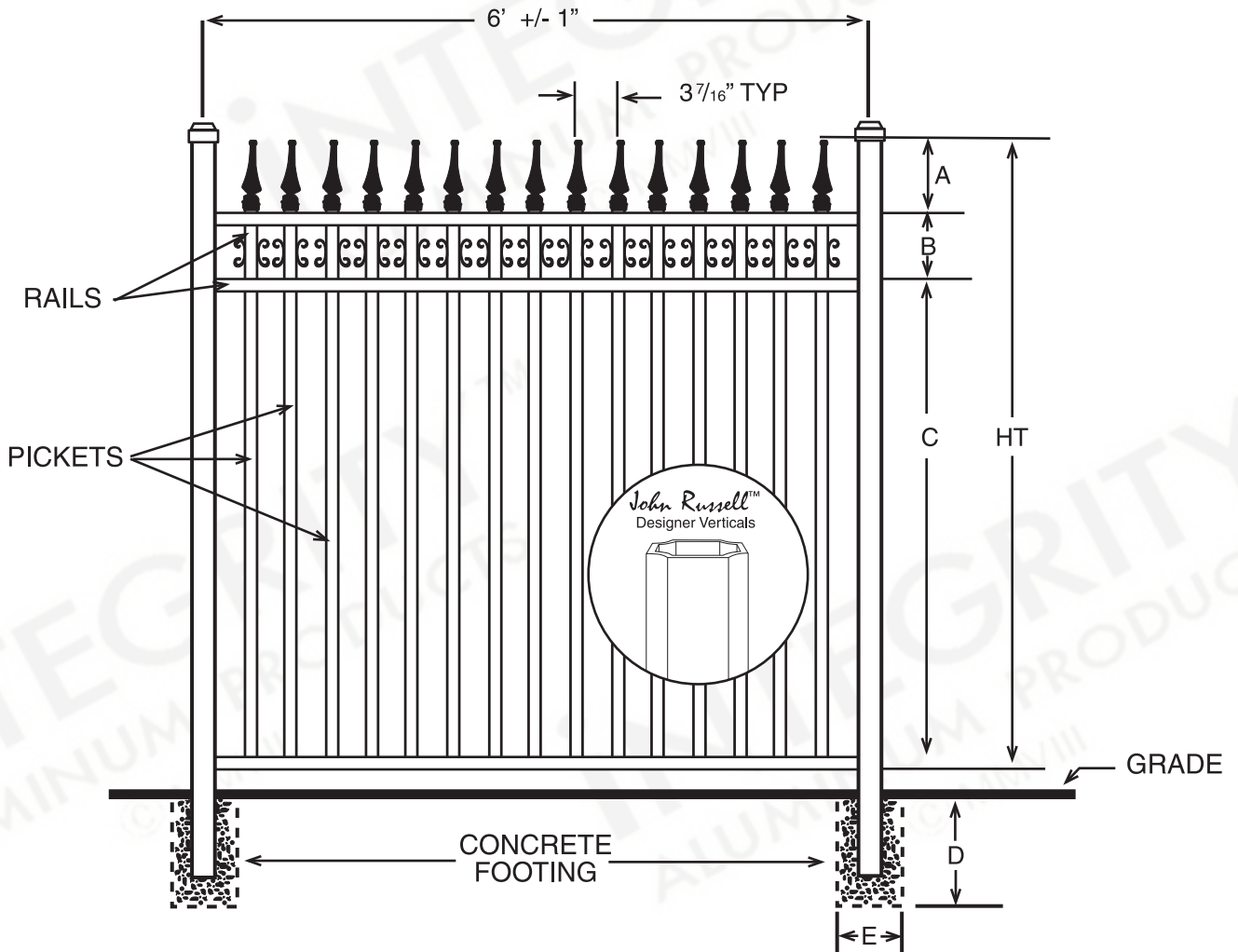
HT	A	B	C	D	E
3'	4½"	4½"	27"	Per Local Code	
3½'	4½"	4½"	33"	Per Local Code	
4'	4½"	4½"	39"	Per Local Code	
5'	4½"	4½"	51"	Per Local Code	
All Dimensions Are Nominal					

### SPECIFICATIONS DESIGNER RESORT

Posts Available	2" x 2" x .060 Wall 2" x 2" x .080 Wall 2" x 2" x .125 Wall 2½" X 2½" X .100 Wall
Horizontal Rails Side Walls Top Walls	1⅛" x 1" .082" .062"
Pickets Picket Spacing	1" x ⅝" x .062 Wall 3 ⅞"
Heights Available	3, 3½, 4 & 5 Ft.



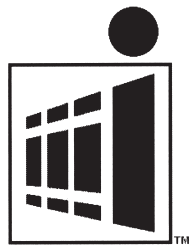
**INTEGRITY™**  
ALUMINUM PRODUCTS  
800.762.8876



**CASTILE™**  
*John Russell™ Designer Verticals*

DIMENSIONS					
HT	A	B	C	D	E
3'	4½"	6"	25½"	Per Local Code	
3½'	4½"	6"	31½"	Per Local Code	
4'	4½"	6"	37½"	Per Local Code	
5'	4½"	6"	49½"	Per Local Code	
All Dimensions Are Nominal					

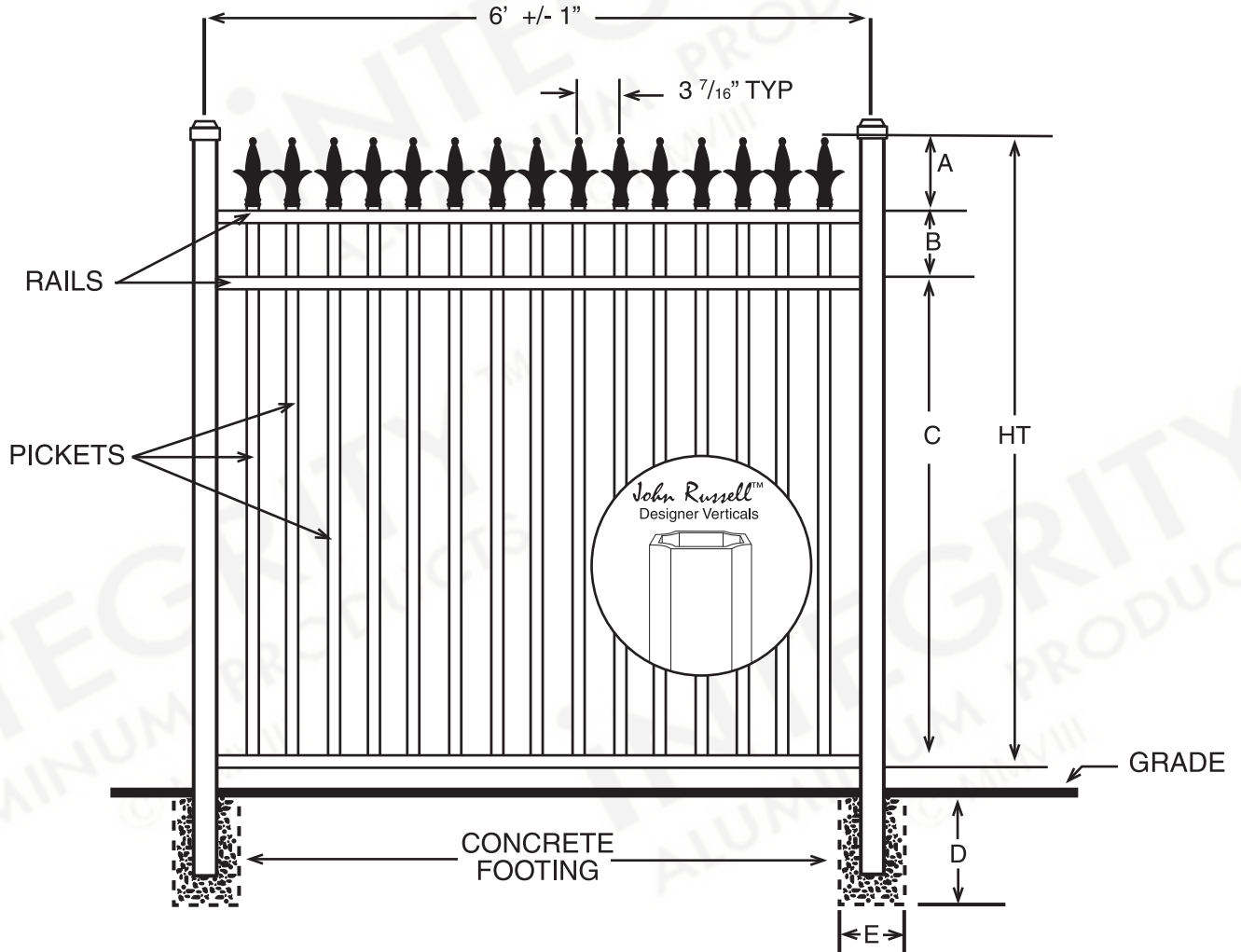
SPECIFICATIONS DESIGNER RESORT	
Posts Available	2" x 2" x .060 Wall 2" x 2" x .080 Wall 2" x 2" x .125 Wall 2½" X 2½" X .100 Wall
Horizontal Rails Side Walls Top Walls	1⅛" x 1" .082" .062"
Pickets Picket Spacing	1" x 5/8" x .062 Wall 3 7/16"
Heights Available	3, 3½, 4 & 5 Ft.



# INTEGRITY™

ALUMINUM PRODUCTS

800.762.8876

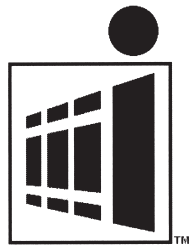


## CHARLEMAGNE™

John Russell™ Designer Verticals

DIMENSIONS					
HT	A	B	C	D	E
3'	4½"	6"	25½"	Per Local Code	
3½'	4½"	6"	31½"	Per Local Code	
4'	4½"	6"	37½"	Per Local Code	
5'	4½"	6"	49½"	Per Local Code	
All Dimensions Are Nominal					

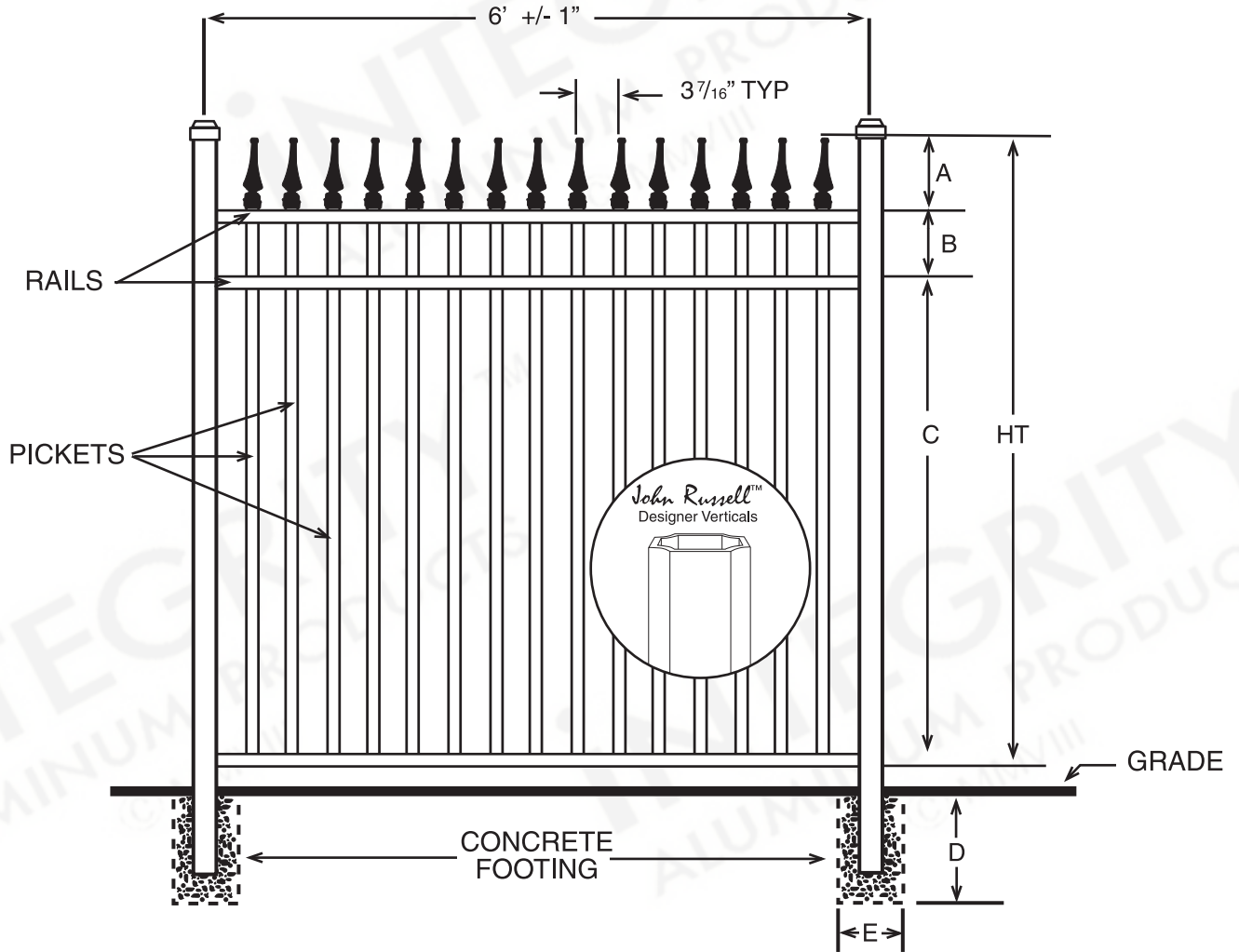
SPECIFICATIONS DESIGNER RESORT	
Posts Available	2" x 2" x .060 Wall 2" x 2" x .080 Wall 2" x 2" x .125 Wall 2½" X 2½" X .100 Wall
Horizontal Rails Side Walls Top Walls	1⅛" x 1" .082" .062"
Pickets Picket Spacing	1" x 5/8" x .062 Wall 3 7/16"
Heights Available	3, 3½, 4 & 5 Ft.



# INTEGRITY™

ALUMINUM PRODUCTS

800.762.8876



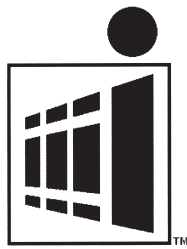
## MISSION POINT™

*John Russell™ Designer Verticals*

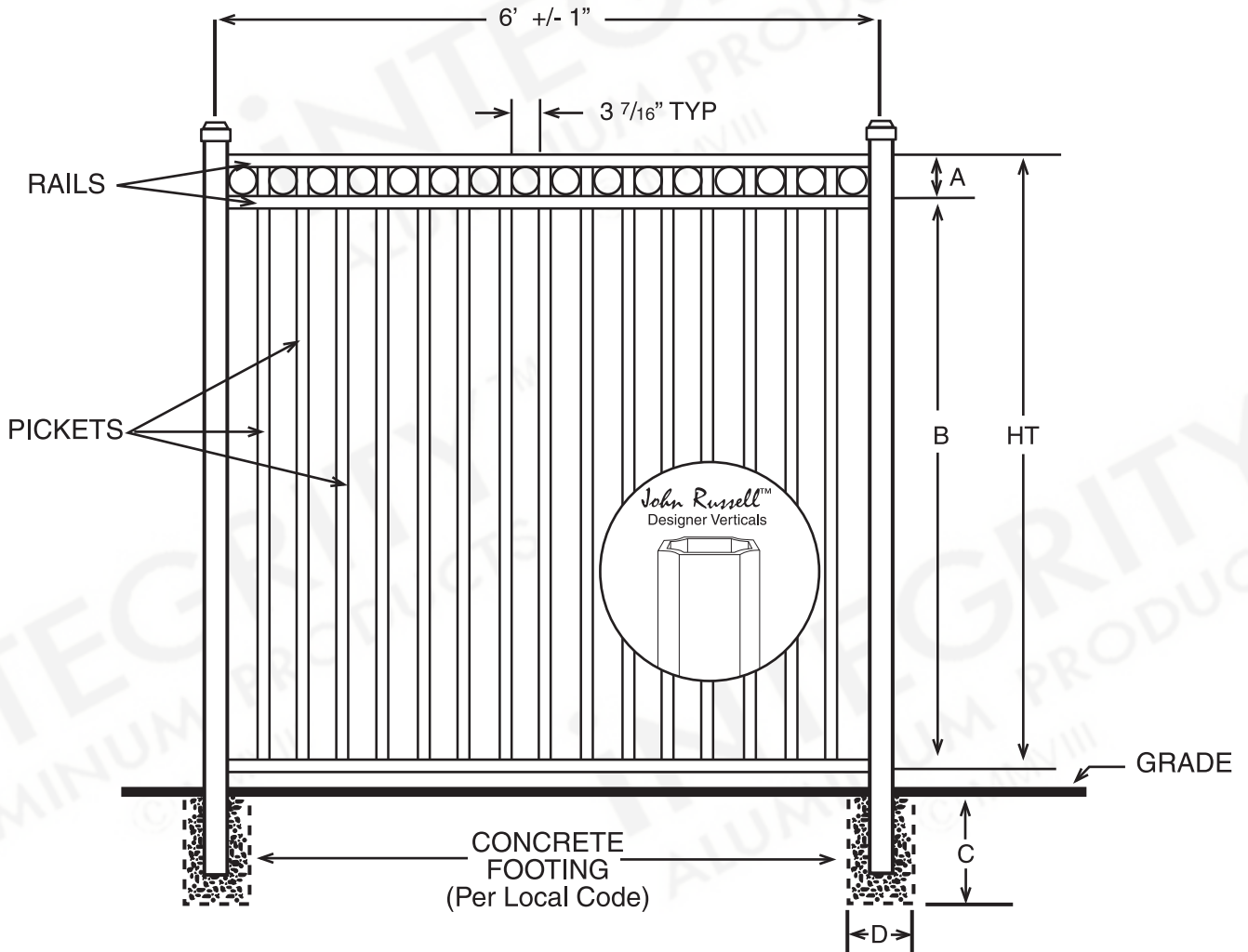
DIMENSIONS					
HT	A	B	C	D	E
3'	4½"	6"	25½"	Per Local Code	
3½'	4½"	6"	31½"	Per Local Code	
4'	4½"	6"	37½"	Per Local Code	
5'	4½"	6"	49½"	Per Local Code	
All Dimensions Are Nominal					

## SPECIFICATIONS DESIGNER RESORT

Posts Available	2" x 2" x .060 Wall 2" x 2" x .080 Wall 2" x 2" x .125 Wall 2½" X 2½" X .100 Wall
Horizontal Rails Side Walls Top Walls	1⅛" x 1" .082" .062"
Pickets Picket Spacing	1" x 5/8" x .062 Wall 3 7/16"
Heights Available	3, 3½, 4 & 5 Ft.



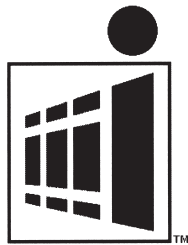
**iNTEGRITY™**  
ALUMINUM PRODUCTS  
800.762.8876



**NAPA VALLEY™**  
*John Russell™* Designer Verticals

DIMENSIONS				
HT	A	B	C	D
3'	4½"	31½"	Per Local Code	
3½'	4½"	37½"	Per Local Code	
4'	4½"	43½"	Per Local Code	
4½'	4½"	49½"	Per Local Code	
5'	4½"	55½"	Per Local Code	
All Dimensions Are Nominal				

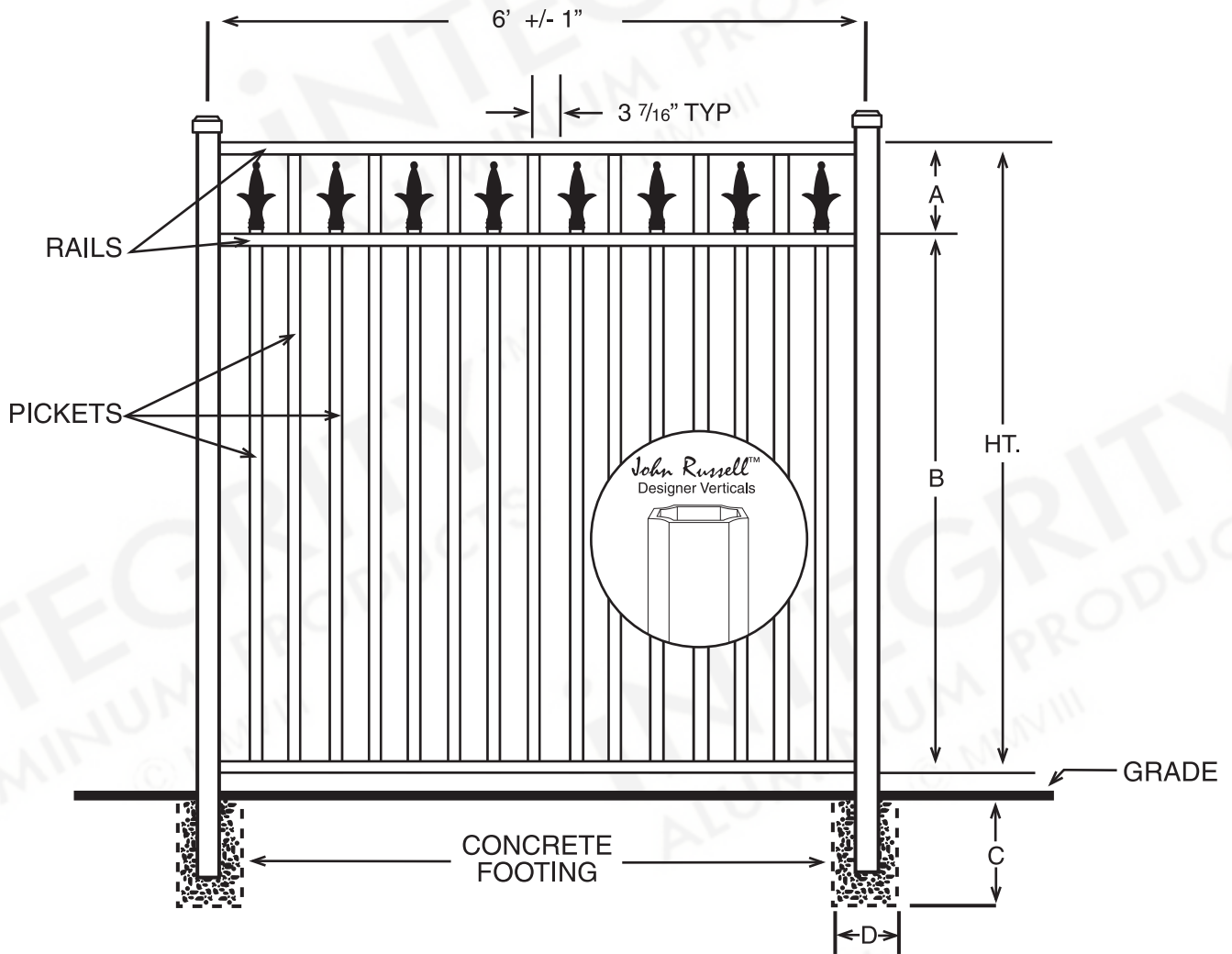
SPECIFICATIONS DESIGNER RESORT	
Posts Available	2" x 2" x .060 Wall 2" x 2" x .080 Wall 2" x 2" x .125 Wall 2½" X 2½" X .100 Wall
Horizontal Rails Side Walls Top Walls	1⅛" x 1" .082" .062"
Pickets Picket Spacing	1" x 5/8" x .062 Wall 3 7/16"
Heights Available	3, 3½, 4, 4½ & 5 Ft.



**iNTEGRITY™**

ALUMINUM PRODUCTS

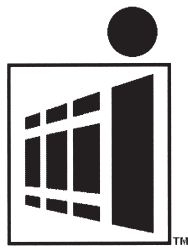
800.762.8876



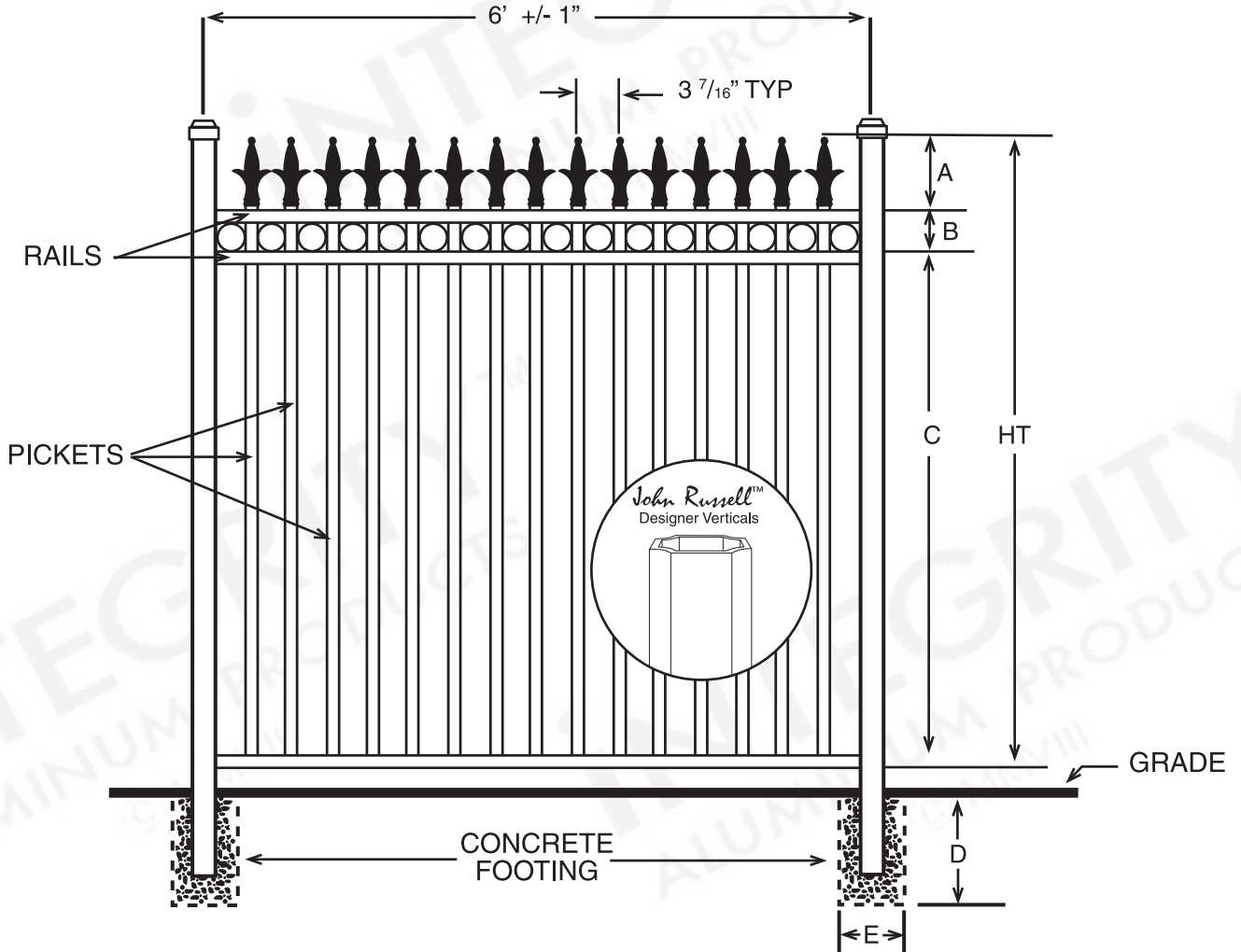
**NEW ORLEANS™**  
John Russell™ Designer Verticals

DIMENSIONS				
HT	A	B	C	D
3'	6"	30"	Per Local Code	
3½'	6"	36"	Per Local Code	
4'	6"	42"	Per Local Code	
4½'	6"	48"	Per Local Code	
5'	6"	54"	Per Local Code	
All Dimensions Are Nominal				

SPECIFICATIONS DESIGNER RESORT	
Posts Available	2" x 2" x .060 Wall 2" x 2" x .080 Wall 2" x 2" x .125 Wall 2½" X 2½" X .100 Wall
Horizontal Rails Side Walls Top Walls	1⅛" x 1" .082" .062"
Pickets Picket Spacing	1" x 5/8" x .062 Wall 3 7/16"
Heights Available	3, 3½, 4, 4½ & 5 Ft.



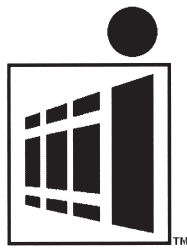
**iNTEGRITY™**  
ALUMINUM PRODUCTS  
800.762.8876



**PROVIDENCE™**  
*John Russell™ Designer Verticals*

DIMENSIONS					
HT	A	B	C	D	E
3'	4½"	4½"	27"	Per Local Code	
3½'	4½"	4½"	33"	Per Local Code	
4'	4½"	4½"	39"	Per Local Code	
5'	4½"	4½"	51"	Per Local Code	
All Dimensions Are Nominal					

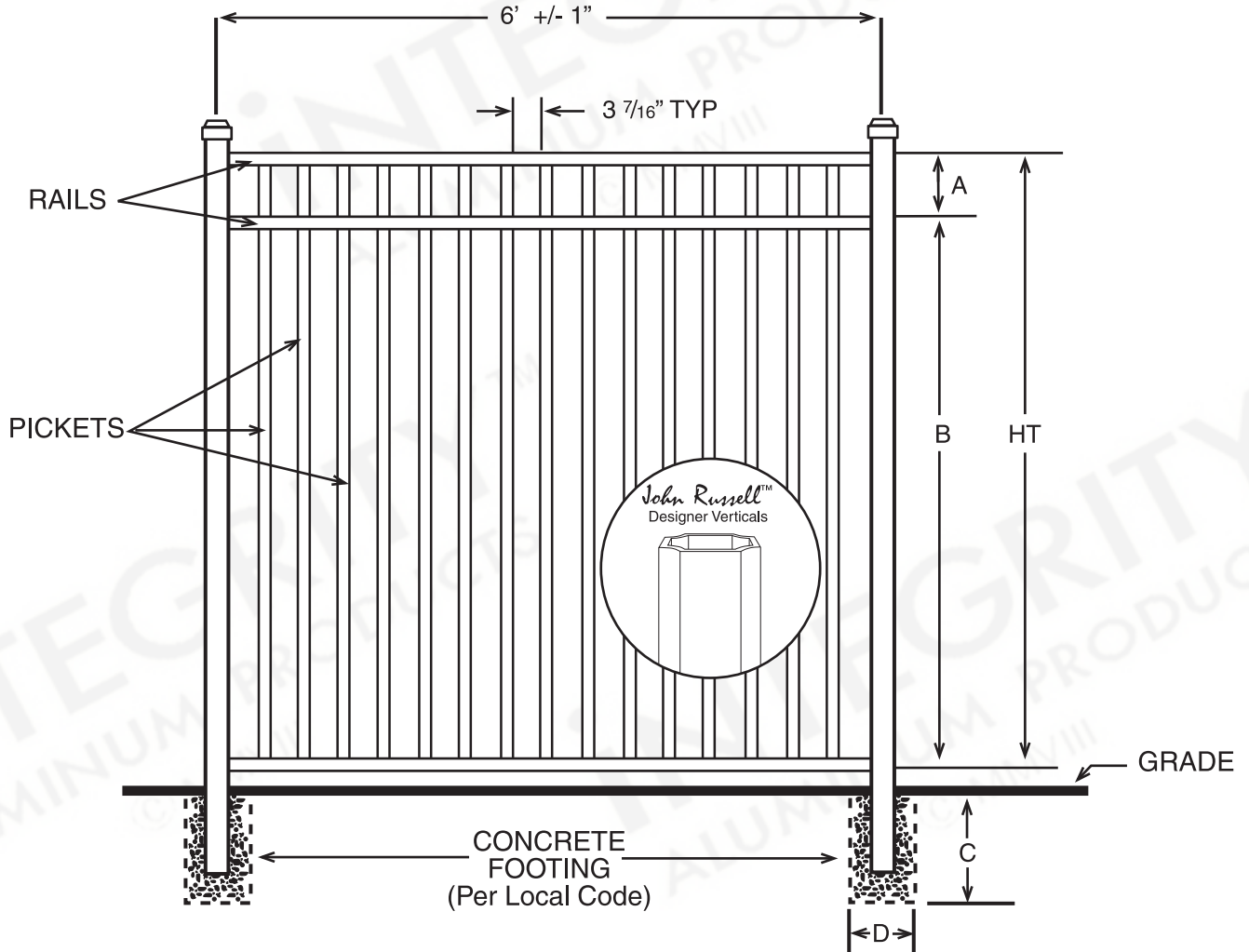
SPECIFICATIONS DESIGNER RESORT	
Posts Available	2" x 2" x .060 Wall 2" x 2" x .080 Wall 2" x 2" x .125 Wall 2½" X 2½" X .100 Wall
Horizontal Rails Side Walls Top Walls	1⅛" x 1" .082" .062"
Pickets Picket Spacing	1" x 5/8" x .062 Wall 3 7/16"
Heights Available	3, 3½, 4 & 5 Ft.



# INTEGRITY™

ALUMINUM PRODUCTS

800.762.8876

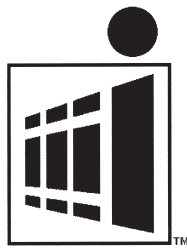


## SAN MARINO™

*John Russell™ Designer Verticals*

DIMENSIONS				
HT	A	B	C	D
3'	6"	30"	Per Local Code	
3½'	6"	36"	Per Local Code	
4'	6"	42"	Per Local Code	
4½'	6"	48"	Per Local Code	
5'	6"	54"	Per Local Code	
All Dimensions Are Nominal				

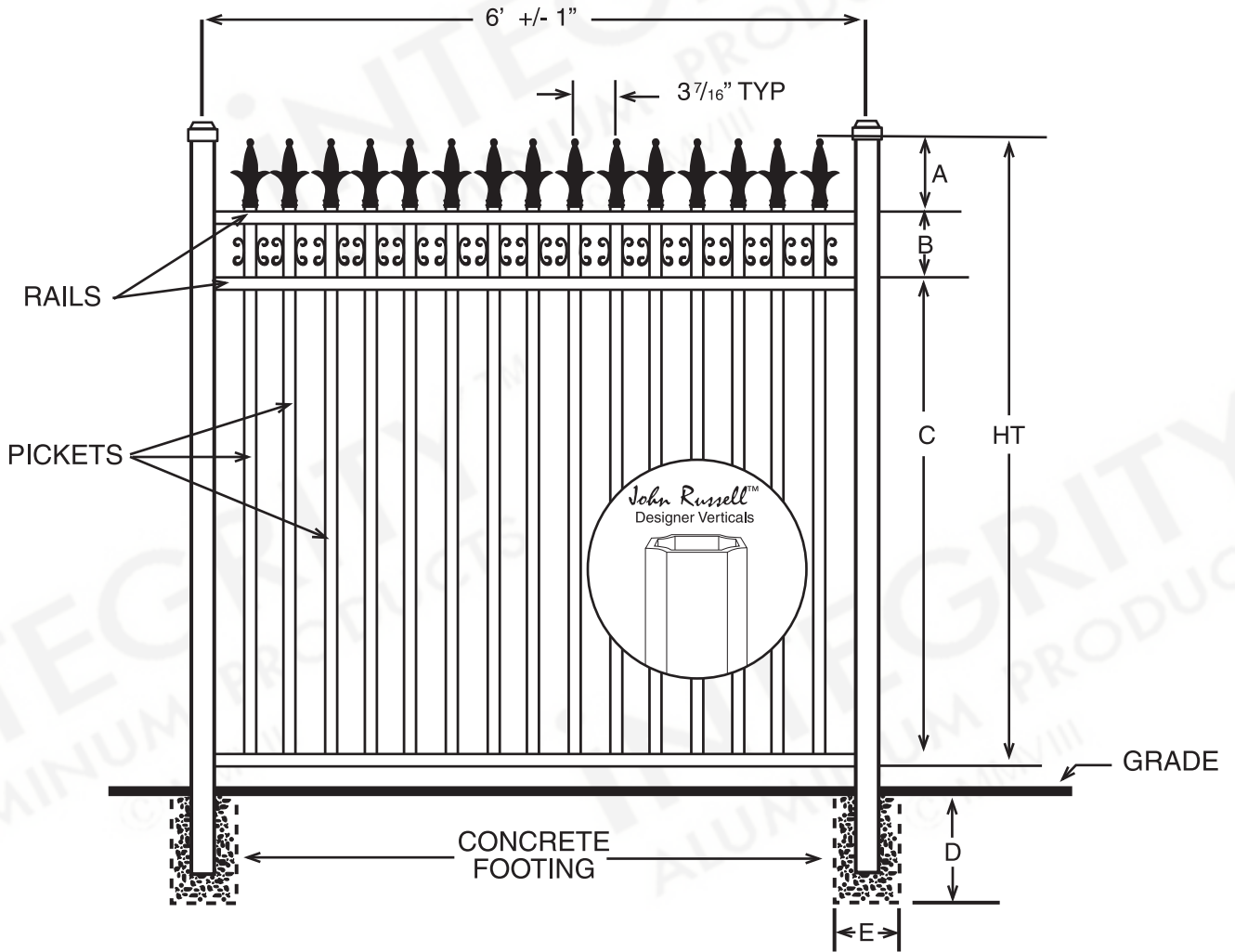
SPECIFICATIONS DESIGNER RESORT	
Posts Available	2" x 2" x .060 Wall 2" x 2" x .080 Wall 2" x 2" x .125 Wall 2½" X 2½" X .100 Wall
Horizontal Rails Side Walls Top Walls	1⅛" x 1" .082" .062"
Pickets Picket Spacing	1" x 5/8" x .062 Wall 3 7/16"
Heights Available	3, 3½, 4, 4½ & 5 Ft.



# INTEGRITY™

ALUMINUM PRODUCTS

800.762.8876



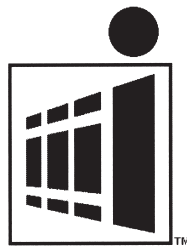
## VALENCIA™

*John Russell™ Designer Verticals*

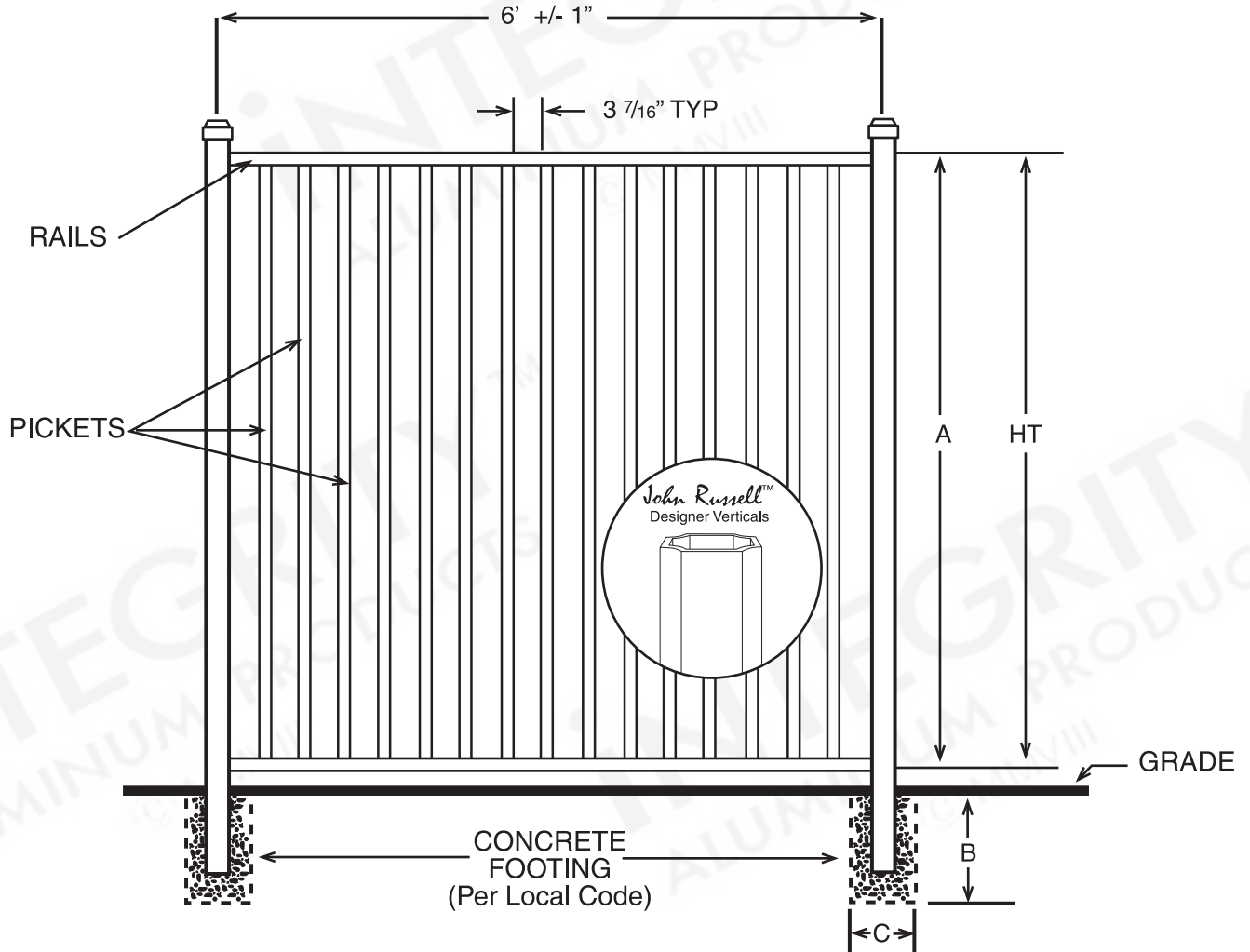
DIMENSIONS					
HT	A	B	C	D	E
3'	4½"	6"	25½"	Per Local Code	
3½'	4½"	6"	31½"	Per Local Code	
4'	4½"	6"	37½"	Per Local Code	
5'	4½"	6"	49½"	Per Local Code	
All Dimensions Are Nominal					

## SPECIFICATIONS DESIGNER RESORT

Posts Available	2" x 2" x .060 Wall 2" x 2" x .080 Wall 2" x 2" x .125 Wall 2½" X 2½" X .100 Wall
Horizontal Rails Side Walls Top Walls	1⅛" x 1" .082" .062"
Pickets Picket Spacing	1" x 5/8" x .062 Wall 3 7/16"
Heights Available	3, 3½, 4 & 5 Ft.



**iNTEGRITY™**  
ALUMINUM PRODUCTS  
800.762.8876



**VENTURA™**  
*John Russell™ Designer Verticals*

DIMENSIONS			
HT	A	B	C
3'	36"	Per Local Code	
3½'	42"	Per Local Code	
4'	48"	Per Local Code	
All Dimensions Are Nominal			

SPECIFICATIONS DESIGNER RESORT	
Posts Available	2" x 2" x .060 Wall 2" x 2" x .080 Wall 2" x 2" x .125 Wall 2½" X 2½" X .100 Wall
Horizontal Rails Side Walls Top Walls	1⅞" x 1" .082" .062"
Pickets Picket Spacing	1" x 5/8" x .062 Wall 3 7/16"
Heights Available	3, 3½ & 4 Ft.